



1



2



3



4



5



6



7



8



9



10



11



12



13



14



15



RH



**MATERIAL**

High-resilience polypropylene based (PP) technopolymer, coated with "soft-touch" thermoplastic elastomer (TPE) chemically bonded, hardness 70 Shore A, black colour, matte finish.

Produced from FDA compliant raw material (FDA CFR.21 and EU 10/2011).

**CENTRE CAP**

Polypropylene based (PP) technopolymer, in Ergostyle colours, matte finish, press-fit assembly.

**STANDARD EXECUTION**

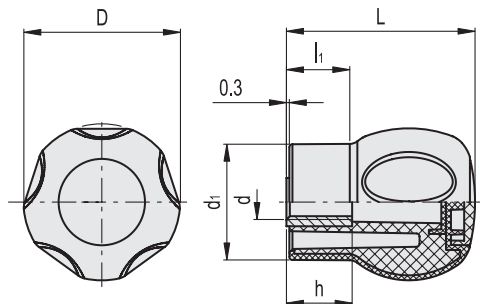
Brass boss, threaded hole.

**FEATURES AND APPLICATIONS**

The coating, with "soft-touch" elastomer, improves the grip even in the presence of oils, greases and sweat from the hand. For this reason it is suitable for fitness machines, tools and machines for gardening and goods transport, high-precision instruments and disability aids.



ERGOSTYLE® ELESA Original design



Conversion Table	
1 mm = 0.039 inch	
D	
mm	inch
43	1.69
50	1.97

\*Complete with colour index, example: 245103-C2 EBK.43 B-M8-C-SOFT-C2  
 C2 RAL2004 C3 RAL7035 C4 RAL1021 C5 RAL5024 C6 RAL3000 C17 RAL6017



Code	Description	D	L	d6H	d1	h	li	⚖
245103-*	EBK.43 B-M8-C-SOFT-*	43	53.5	M8	32.5	18	17.5	72
245105-*	EBK.43 B-M10-C-SOFT-*	43	53.5	M10	32.5	18	17.5	71
245203-*	EBK.50 B-M8-C-SOFT-*	50	60	M8	37	20	20	85
245205-*	EBK.50 B-M10-C-SOFT-*	50	60	M10	37	20	20	82
245207-*	EBK.50 B-M12-C-SOFT-*	50	60	M12	37	20	20	80